

Interface PCB

Connector Accessory

# PROCESSOR 252 SHEET 4 DSP AUDIO

## RECEIVER

SHEET 3

## SYNTH-VCO

SHEET 5

### VCO

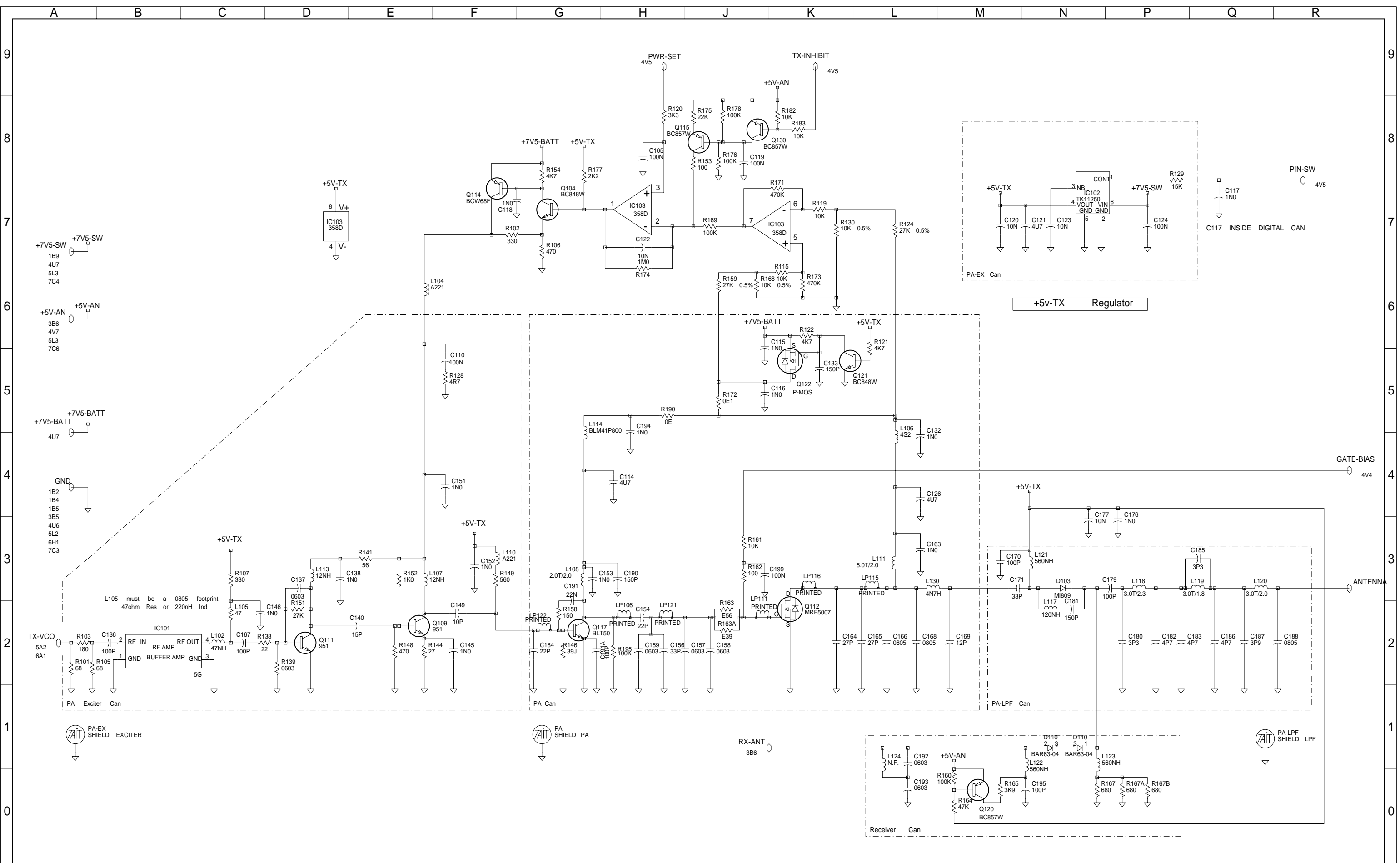
sheet 6

## POWER-AMP

SHEET 2

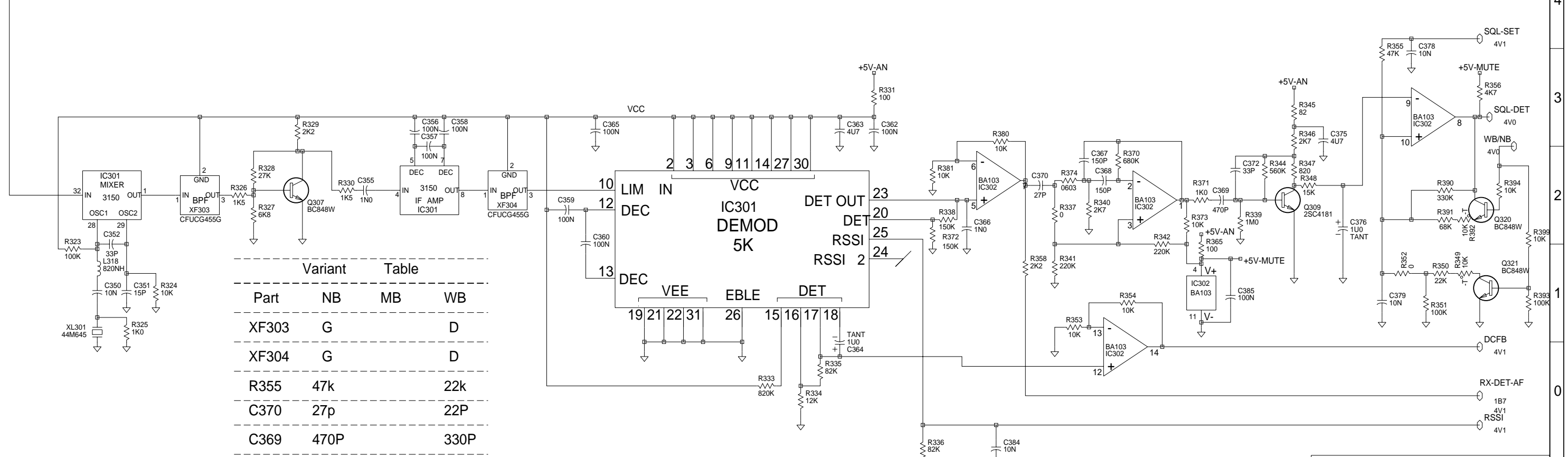
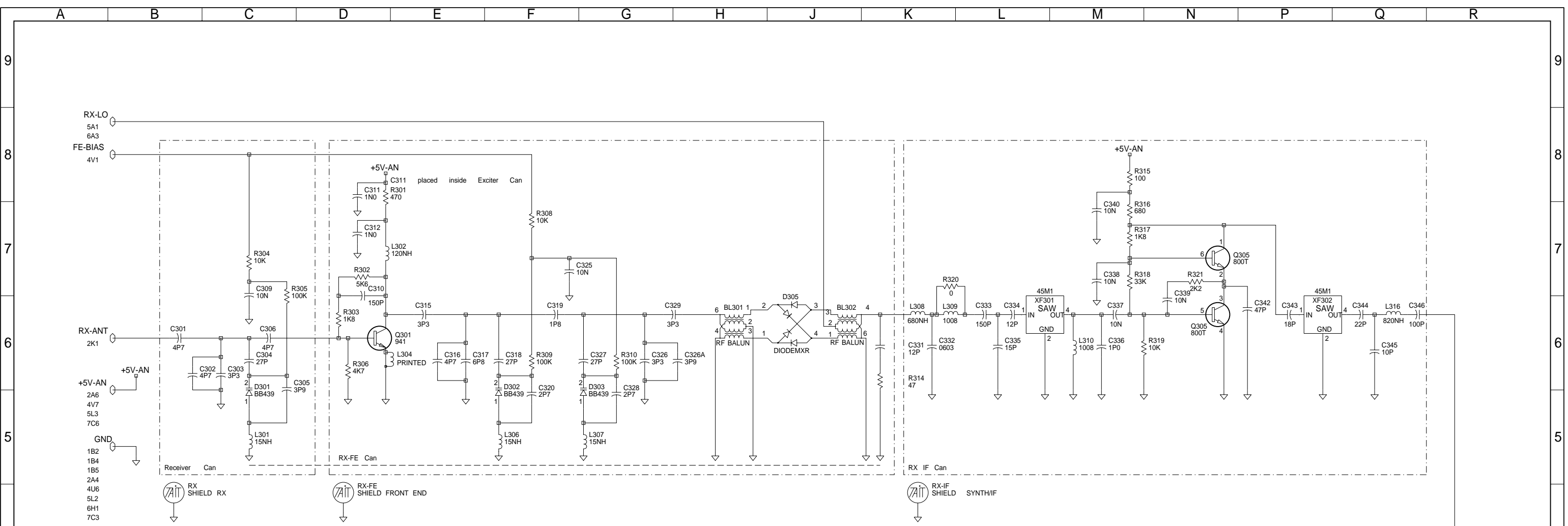
REV/ISS	AMENDMENTS	DRAWN	CHKD	D.O.	APVD	DATE
11A	CHANGE NOTE 500310					05-07-99
10B	CHANGED C572 FROM 0603 TO 0805					11-5-99
10A	MUTE MOD/ALC/BIRDY MODS					11-03-99
09A	UPDATES TO COIL PADS					04/02-99

<b>TAIT ELECTRONICS</b>						
ORCA : 400-440MHZ SYSTEM DIAGRAM						
IPN:	ISSUE:	ID:				
220-01392-11	A	2.S.C. 1				
PROJECT:	DESIGNER:	FILE NAME:	FILE DATE:	NO.SHEETS:		
ORCA	BRD	139211A	04-08-99	7		



<b>TAIT ELECTRONICS</b>	
ORCA : 400-440MHZ POWER AMPLIFIER	
IPN: 220-01392-11	ID: 2.S.C. 2
PROJECT: ORCA	DESIGNER: BRD
FILE NAME: 139211A	FILE DATE: 04-08-99
NO. SHEETS: 7	

REV/ISS	AMENDMENTS	DRAWN	CHKD	D.O.	APVD	DATE
A						

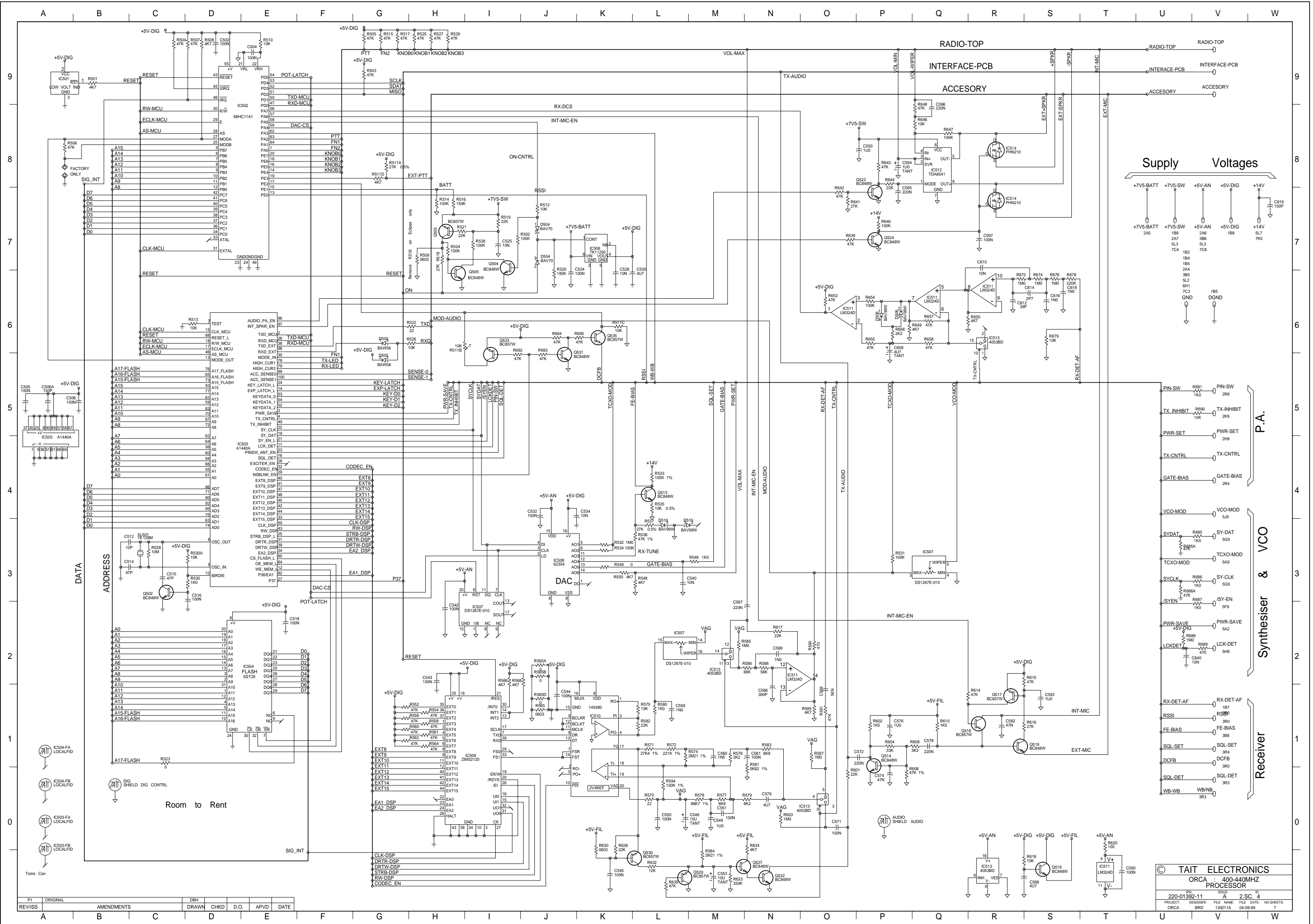


REV/ISS	AMENDMENTS	DRAWN	CHKD	D.O.	APVD	DATE
A						

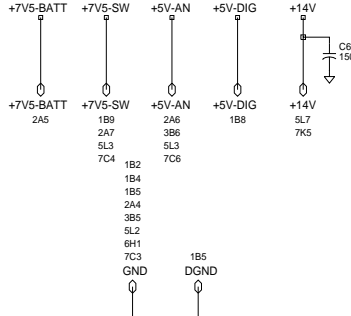
© TAIT ELECTRONICS  
ORCA : 400-440MHZ RECEIVER

IPN: 220-01392-11  
ISSUE: A  
ID: 2.S.C. 3

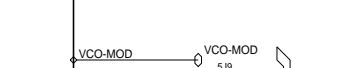
PROJECT: ORCA BRD  
DESIGNER: FILE NAME: 139211A  
DATE: 04-08-99  
NO.SHEETS: 7



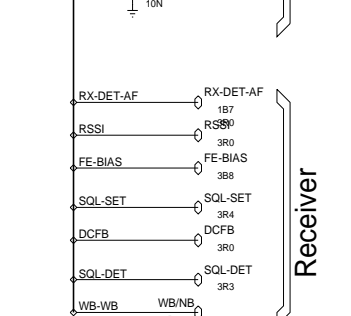
**Supply Voltages**



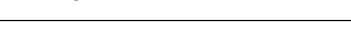
**P.A.**



**Synthesiser & VCO**

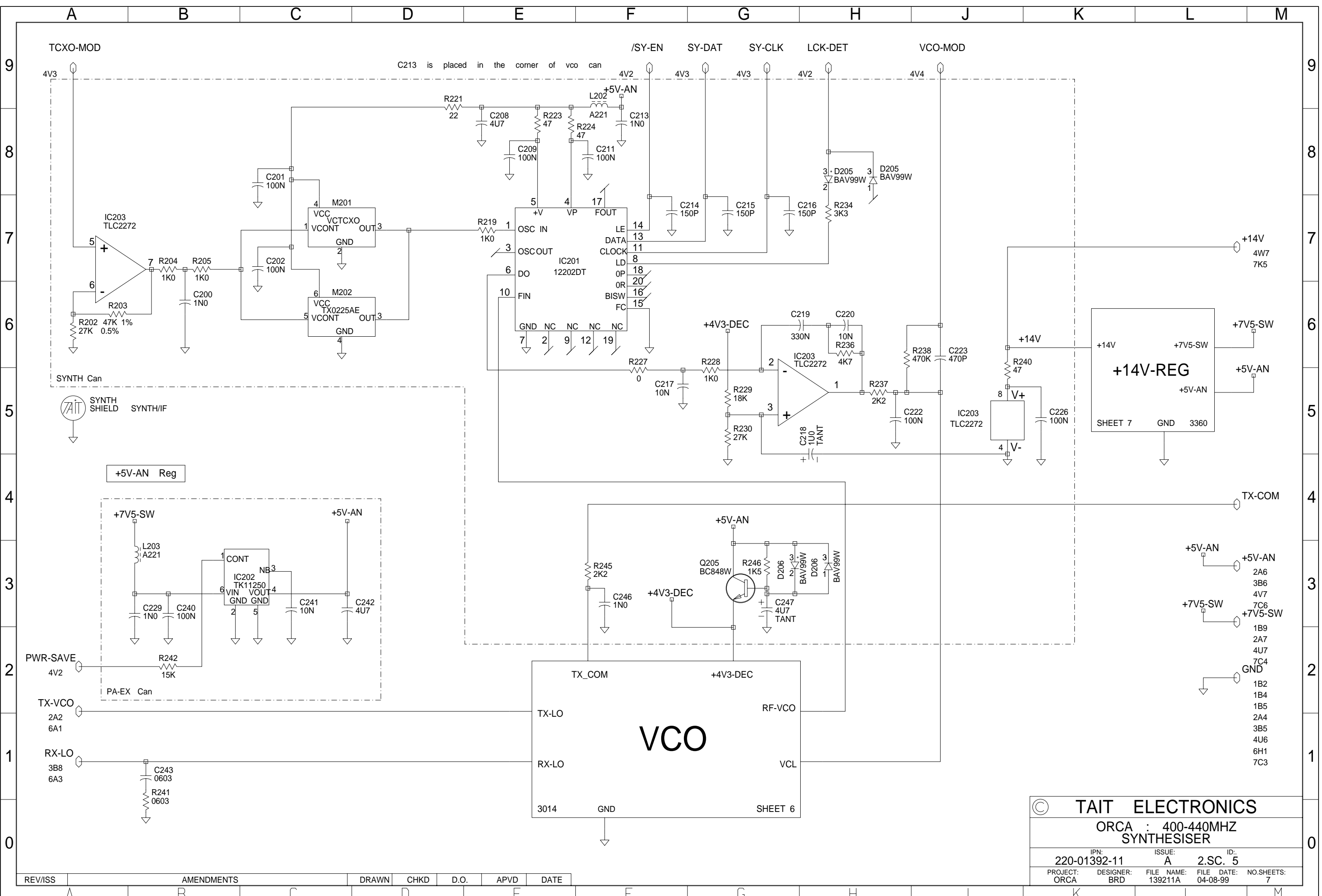


**Receiver**



REV/ISS	ORIGINAL	AMENDMENTS	DRAWN	CHKD	D.O.	APVD	DATE
A							

© TAIT ELECTRONICS  
 ORCA : 400-440MHZ  
 PROCESSOR  
 220-01392-11  
 2 SC. 4  
 ORCA BRD 139211A 04-09-99



© TAIT ELECTRONICS  
 ORCA : 400-440MHZ SYNTHESISER  
 IPN: 220-01392-11    ISSUE: A    ID: 2.SC. 5  
 PROJECT: ORCA    DESIGNER: BRD    FILE NAME: 139211A    FILE DATE: 04-08-99    NO.SHEETS: 7

REV/ISS	AMENDMENTS	DRAWN	CHKD	D.O.	APVD	DATE

**VCO**  
 3014    GND    SHEET 6

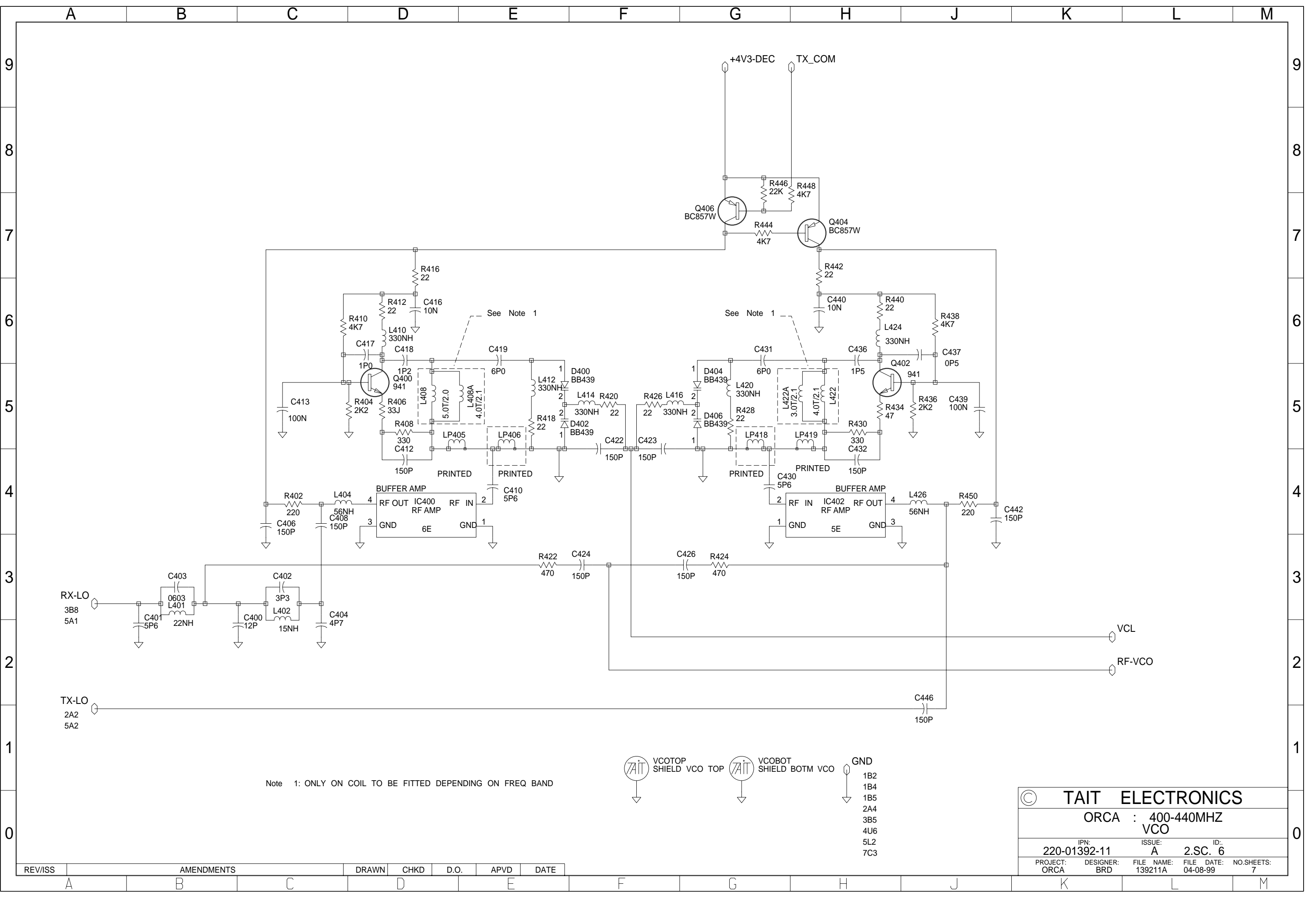
**+14V-REG**  
 SHEET 7    GND    3360

+5V-AN Reg

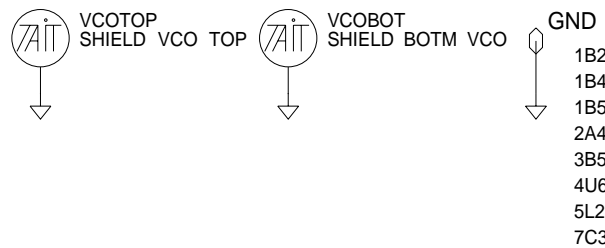
**PA-EX Can**

**SYNTH Can**

- +5V-AN    2A6
- +5V-AN    3B6
- 4V7    4V7
- +7V5-SW    7C6
- +7V5-SW    7C4
- GND    1B9
- GND    2A7
- GND    4U7
- GND    3B5
- GND    4U6
- GND    6H1
- GND    7C3

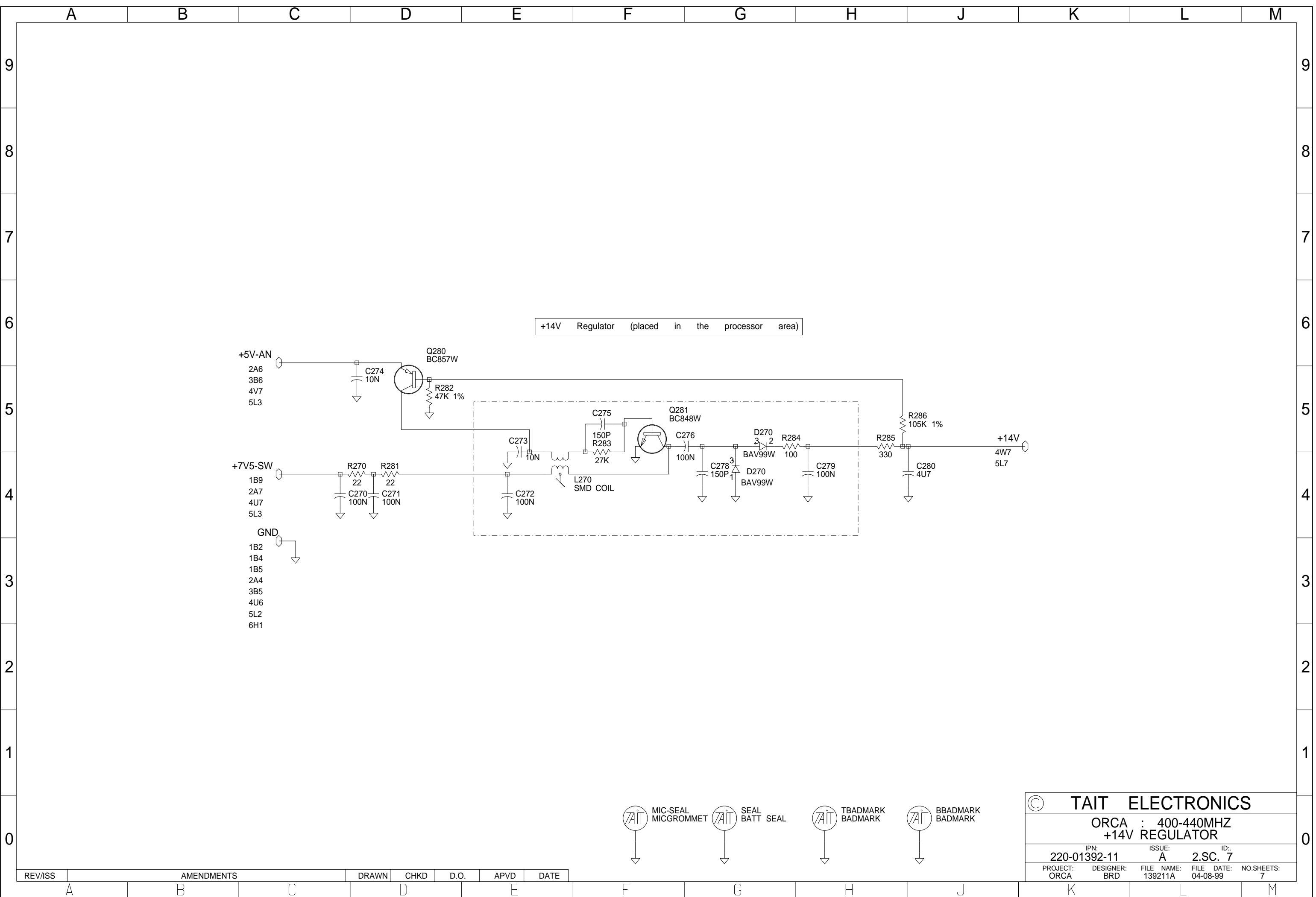


Note 1: ONLY ON COIL TO BE FITTED DEPENDING ON FREQ BAND

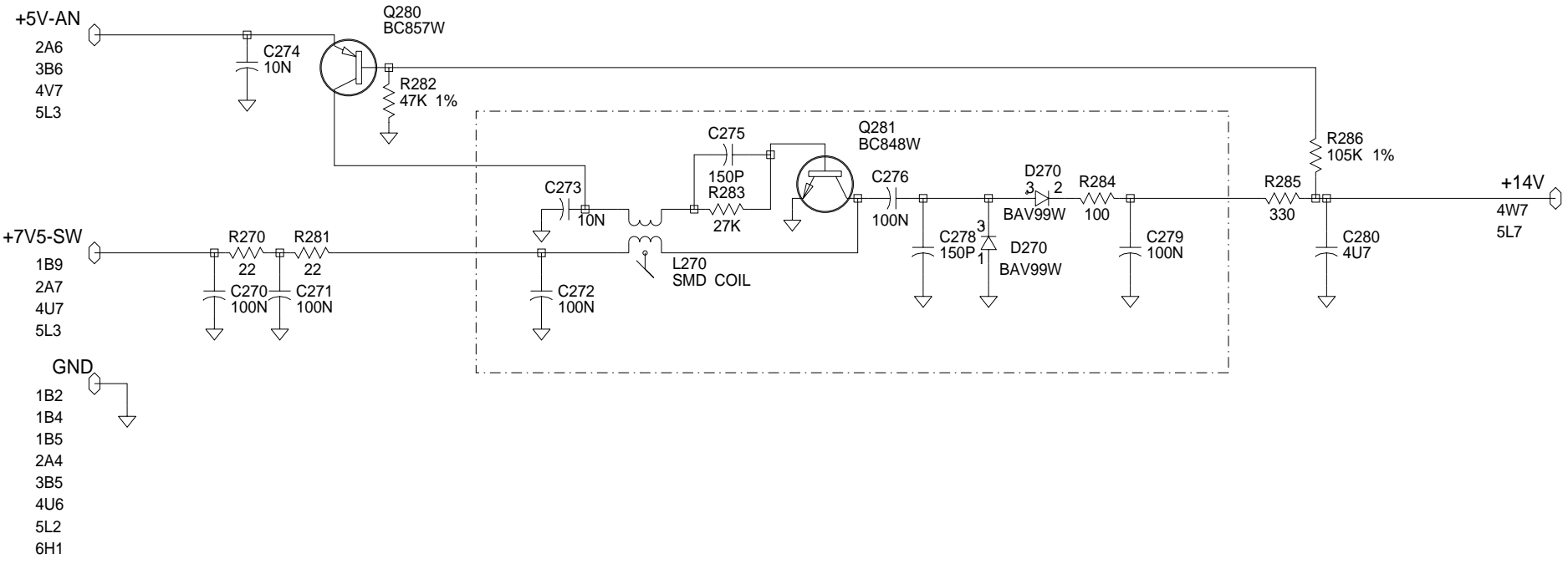


© TAIT ELECTRONICS				
ORCA : 400-440MHZ VCO				
IPN:	ISSUE:	ID:		
220-01392-11	A	2.SC. 6		
PROJECT:	DESIGNER:	FILE NAME:	FILE DATE:	NO.SHEETS:
ORCA	BRD	139211A	04-08-99	7

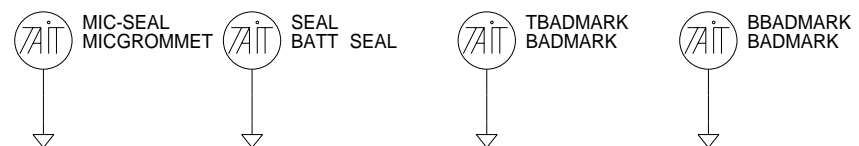
REV/ISS	AMENDMENTS	DRAWN	CHKD	D.O.	APVD	DATE



+14V Regulator (placed in the processor area)

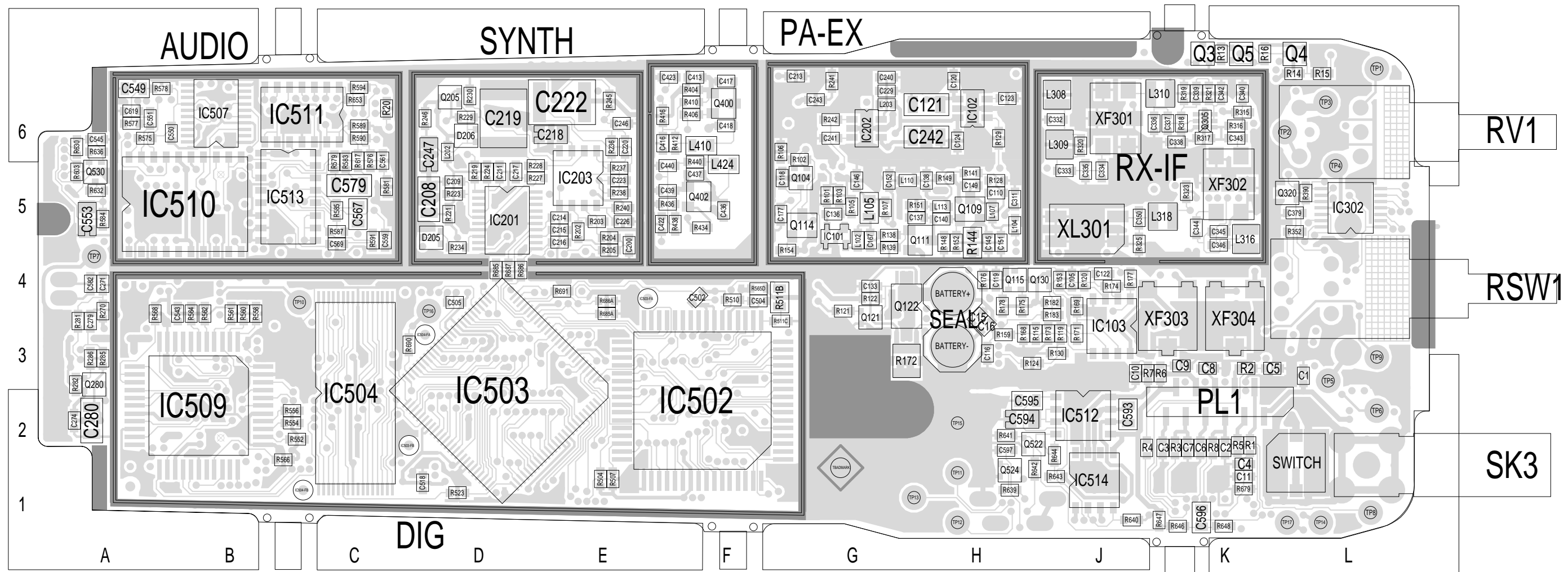


- GND
- 1B2
  - 1B4
  - 1B5
  - 2A4
  - 3B5
  - 4U6
  - 5L2
  - 6H1



© TAIT ELECTRONICS			
ORCA : 400-440MHZ +14V REGULATOR			
IPN:	ISSUE:	ID.:	
220-01392-11	A	2.SC. 7	
PROJECT:	DESIGNER:	FILE NAME:	FILE DATE: NO.SHEETS:
ORCA	BRD	139211A	04-08-99 7

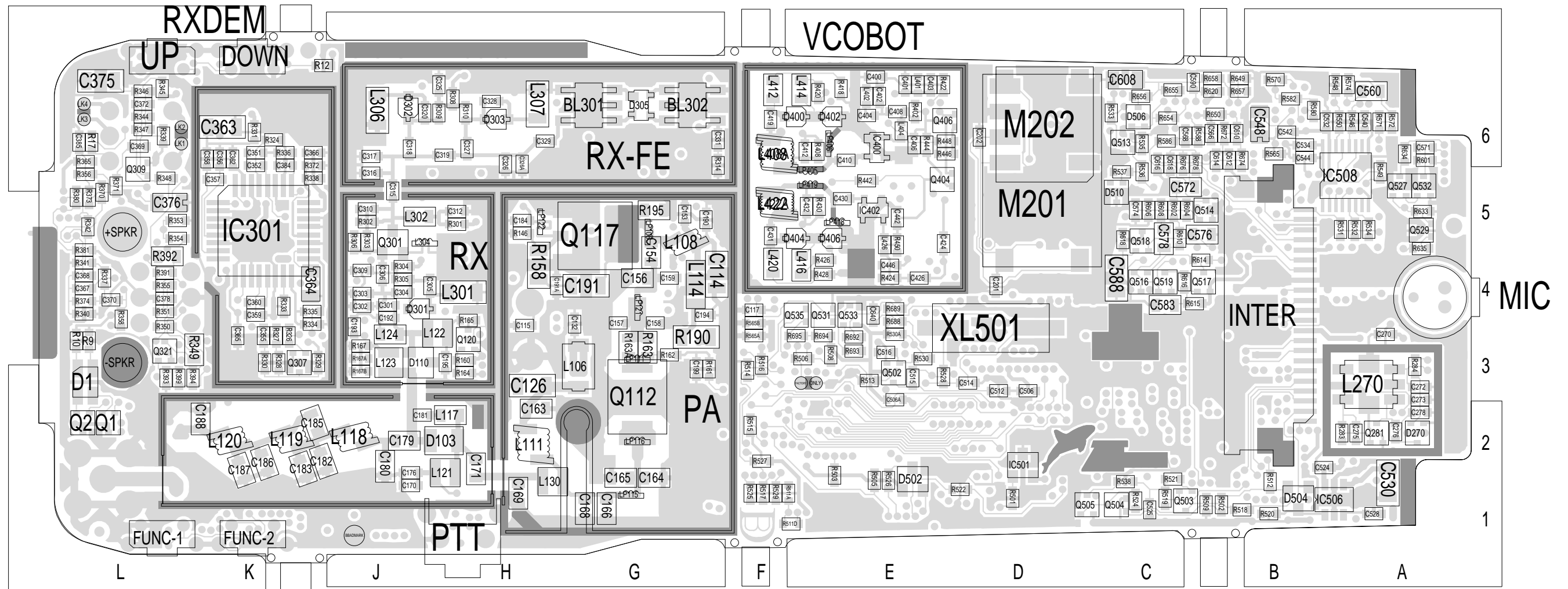
REV/ISS	AMENDMENTS	DRAWN	CHKD	D.O.	APVD	DATE



TAIT ELECTRONICS IPN: 220-01392-11 ISS: -11A ID: 1.TA DATE: 6 Aug 1999  
 ORCA UHF PCB LAYOUT - TOP SIDE

Scale: 2.3:1 ; Rotation: 0 degrees





TAIT ELECTRONICS IPN: 220-01392-11 ISS: -11A ID: 6.BA DATE: 6 Aug 1999  
 ORCA UHF PCB LAYOUT - BOTTOM SIDE

Scale: 2.3:1 ; Rotation: 0 degrees